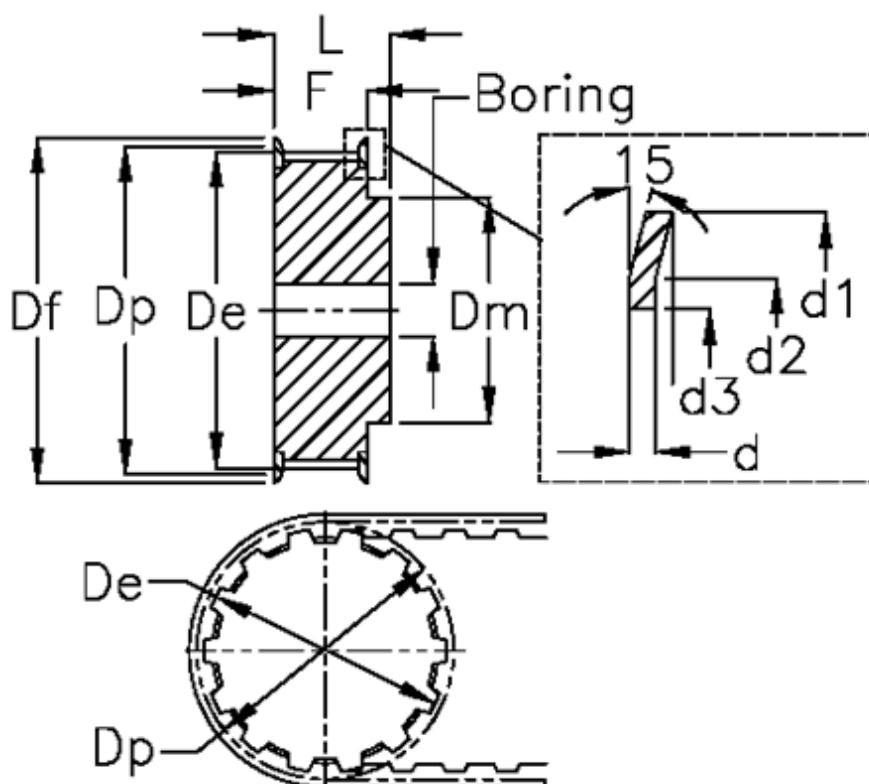


Article number: 604146028037

Description: Timing belt pulley with hub
28 XL 037

Measures



d = 1	F = 14.3	Width = XL 037
d1 = 51	Flange type = F19	
d2 = 47	L = 22.2	
d3 = 40	Max bore = 23	
De = 44.77	Pitch = 1/5"	
Df = 51	Pre-drilled = 6	
Dm = 30.2	Tooth number = 28	
Dp = 45.28	Weight = 0.16	